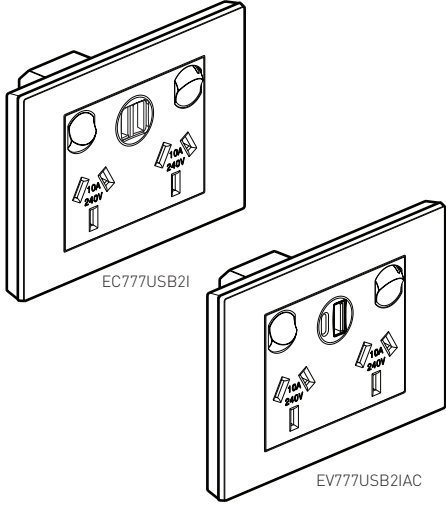
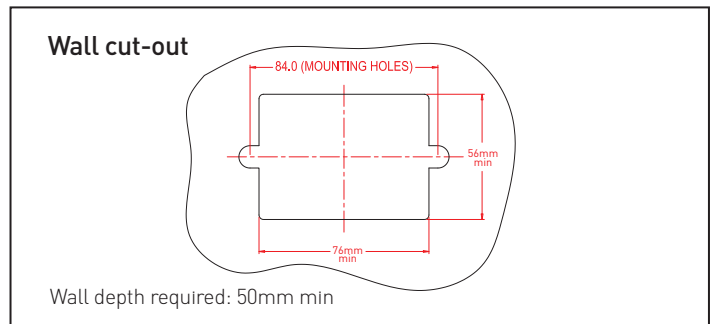
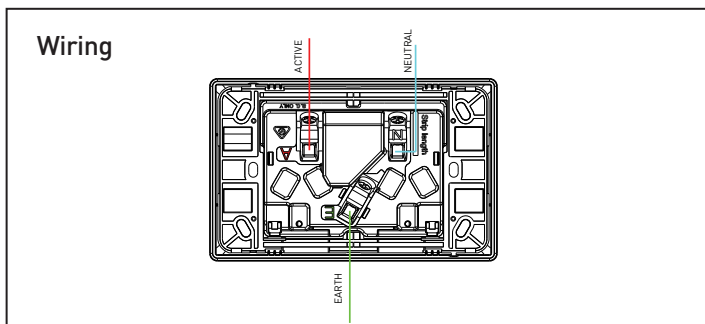


# Vivo™ Double Powerpoint with integrated USB charger Instruction Manual

EV777USB2I and EV777USB2IAC Series



<b>Powerpoint Current Rating</b>	10 A
<b>Supply Voltage</b>	230 - 240 V a.c. 50 Hz
<b>USB Output</b>	5V d.c. ± 5% 2.4 A
<b>Standby Power Consumption</b>	<0.07 W
<b>Overload Protection on Output</b>	2.6 ± 0.2 A
<b>Mains Connections</b>	Via 'A' and 'N' wires
<b>Product Dimensions (W x H x D)</b>	119 x 85 x 40 mm



### Disclaimers

- Suitable for installation in wall boxes.
- This product must be installed by a licensed electrician.
- For indoor use only.
- This product should not be installed in areas exposed to constant vibration, temperature fluctuations, or areas of high humidity.
- This product is only suitable for information technology equipment.
- This product contains no serviceable parts and no attempt should be made to repair this product. If the product is faulty it should be discarded.
- This product has been designed to operate in ambient temperatures 5°C to 40°C.
- The material in this product may vary in colour from batch to batch. Colour matching from one batch to another cannot be guaranteed.
- Electrical installations periodically receive transient over voltages. This product has been designed to minimise the effect of such voltages on connected equipment. It may not give full protection for extreme over voltage transients such as those resulting from a close lighting strike.
- This product has been designed to operate on a nominal supply voltage of 230 - 240V a.c. +/- 6%.
- This product must be installed and used as per these instructions.
- This product utilises intellectual property in the form of registered designs, trademarks, and/or patents. Such intellectual property remains the property of Legrand in all cases
- Legrand reserves the right to modify the specification of this product at any time.

### Warranty

Legrand will honour all statutory guarantees that you as a consumer are entitled to rely upon under the Australian and New Zealand Consumer Laws against a manufacturer including a guarantee that this product is of acceptable quality.

To make a claim under any statutory guarantee you should first contact the supplier, or retailer from whom you purchased this product.

### Customer Service

For all Customer Service and Technical Support please call Monday to Friday during business hours.

Legrand Australia  
1300 369 777  
www.hpm.com.au

Legrand New Zealand  
0800 476 009  
www.hpm.co.nz

ABN: 31 000 102 661